
808 & 821 Champion Swivels



Condux International, Inc. • P.O. Box 247 • 145 Kingswood Drive • Mankato, MN 56002-0247
507-387-6576 • 800-533-2077 • FAX 507-387-1442
Internet: <http://www.condux.com>

© Copyright 2012, Condux International, Inc.
Printed in USA
Literature Part Number: 08210099
Revision Number 1.7



Important Safety Notice

Read and understand all procedure and safety instructions before using a Condux 808 or 821 Champion Swivel. Observe all safety information on this page and note specific safety requirements as explained by procedures called out in this user guide. Failure to follow these instructions could result in serious personal injury or death.

ADVERTENCIA:

Favor de leer y comprender todas las instrucciones de operación y seguridad antes de usar la máquina. Si Ud. no comprende las instrucciones favor de consultarle a su jefe.



Save this user's guide for future reference.

 CONDUX ISO 9001:2008 CERTIFIED	If you have questions on: SAFETY - OPERATIONS - APPLICATIONS CALL 1-800-533-2077
---	--

Limited Warranty

Condux International, Incorporated extends the following warranty to the original purchaser of these goods for use, subject to the qualifications indicated:

Condux International, Incorporated warrants to the original purchaser for use that the goods or any component thereof manufactured by Condux International will be free from defects in workmanship for a period of 1 year from the date of purchase, provided such goods are installed, maintained, and used in accordance with Condux's written instructions.

Components not manufactured by Condux International but used within the assembly provided by Condux International are subject to the warranty period as specified by the individual manufacturer of said component, provided such goods are installed, maintained, and used in accordance with Condux's and the original manufacturer's written instructions.

Condux's sole liability and the purchaser's sole remedy for a failure of goods under this limited warranty, and for any and all claims arising out of the purchase and use of goods, shall be limited to the repair or replacement of the goods that do not conform to this warranty.

To obtain repair or replacement service under the limited warranty, the purchaser must contact the factory for a Return Material Authorization (RMA). Once obtained, send the RMA along with the defective part or goods, transportation prepaid, to:

Condux International, Inc.
145 Kingswood Drive
Mankato, MN 56002-0247 USA

THERE ARE NO EXPRESS WARRANTIES COVERING THESE GOODS OTHER THAN AS SET FORTH ABOVE. THE IMPLIED WARRANTIES OR MERCHANTABILITY AND FITNESS FOR PARTICULAR PURPOSE ARE LIMITED IN DURATION TO ONE YEAR FROM DATE OF PURCHASE.

CONDUX ASSUMES NO LIABILITY IN CONNECTION WITH THE INSTALLATION OR USE OF THIS PRODUCT, EXCEPT AS STATED IN THIS LIMITED WARRANTY, CONDUX WILL IN NO EVENT BE LIABLE FOR INCIDENTAL OR CONSEQUENTIAL DAMAGES.

Read and understand all procedure and safety instructions before using the Condux 808 or 821 Champion Swivels. Observe all safety information on this page and note specific safety requirements as explained by procedures called out in this manual. Failure to follow these instructions could result in serious personal injury, property damage or death.

!DANGER

Immediate hazards which, if not avoided, WILL result in severe injury or death.

!WARNING

Hazards which, if not avoided, COULD result in severe injury or death.

!CAUTION

Hazards or unsafe practices, which, if not avoided, MAY result in injury or property damage.



This symbol is used to call your attention to hazards or unsafe practices which could result in an injury or property damage.



!WARNING: Do not modify or dismantle the 808 or 821 Champion swivel. The swivel was assembled, inspected and shipped in it's "covered warranty" form. Any attempt to dismantle or modify the swivel will void the warranty and could result in property damage, severe injury or death.



!WARNING: Do not use the 808 or 821 Champion Swivel for overhead lifting. They are designed for cable and innerduct pulling only. Severe personal injury or property damage could result.



!WARNING: The 808 & 821 Champion Swivels are not designed to be pulled around capstans or bullwheels. The 808 & 821 Champion Swivels are not designed to be pulled over sheaves. If this situation cannot be avoided, select a swivel with a safe working load 20% greater than anticipated straight tension load.



!WARNING: Do not exceed the working-load capacity of the 808 or 821 Champion Swivel or any element in the pull string. Severe personal injury or property damage could result.



!WARNING: Do not stand directly behind the pull string. If any component breaks, severe personal injury or property damage could result.

Installation Procedure

!CAUTION: Do not use these swivels for directional drilling applications.

1. Ensure the swivel is the correct size for the job (see Tables 1 or 2).
2. Unscrew the clevis pins with a straight-slot screwdriver or allen wrench depending on the type of clevis pin.
3. Attach the swivel between the cable being pulled and the pulling rope or cable.
4. Tighten the clevis pins securely.

Maintenance

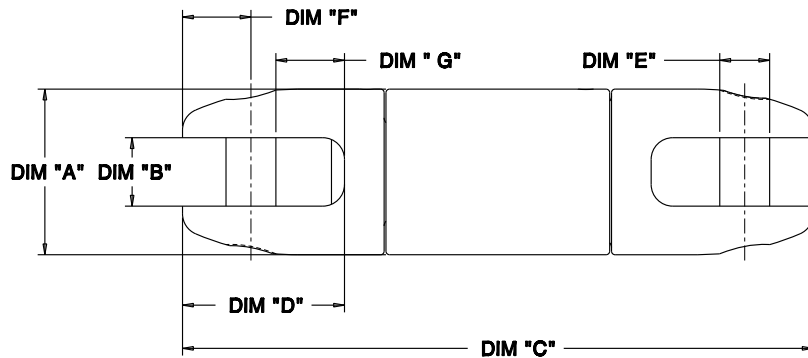
1. After each use, assess the condition of the swivel, checking for wear and external damage. Check for axial and radial play in the bearings.

THIS PRODUCT IS NOT SERVICEABLE. If the swivel ceases to operate correctly, replace with new one.

The only replacement/repair part for these swivels are the clevis (attachment) pins. Use only OEM parts, **DO NOT SUBSTITUTE.** See Table for correct Replacement Pin.

Specifications

Table 1 - 821 Champion Swivels



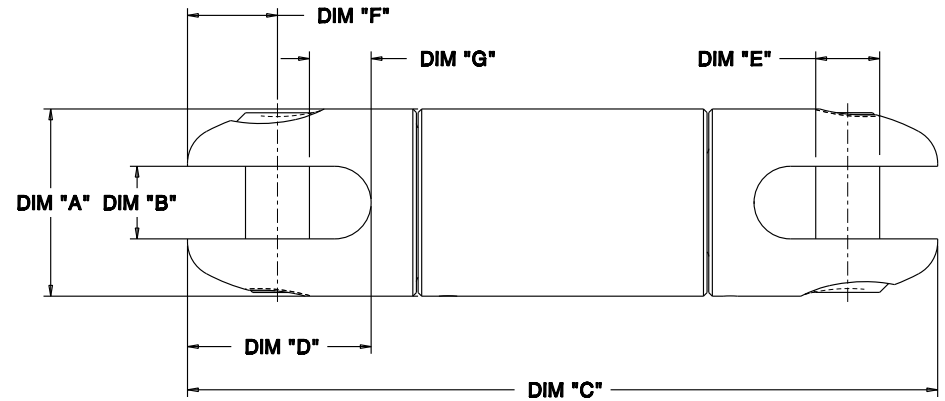
Part Number	Working Load		A (in)	B (in)	C (in)	D (in)	E (in)	F (in)	G (in)	Replacement Pin
	*Underground (lbs)	**Aerial (lbs)								
08210007	1,800	1,080	5/8	.31	3.09	.84	.31	.38	0.31	08210105
08210012	4,000	2,400	1 1/4	.59	4.52	1.22	.38	.44	0.60	08210115
08210014	7,500	4,500	1 7/16	.59	5.47	1.41	.44	.59	0.60	08210125
08210018	10,000	6,000	1 1/2	.75	7.06	1.86	.59	.80	0.76	08210135

* 3:1 SAFETY FACTOR

** 5:1 SAFETY FACTOR

Specifications

Table 2 - 808 Champion Swivels



Part Number	Working Load		A (in)	B (in)	C (in)	D (in)	E (in)	F (in)	G (in)	Replacement Pin
	*Underground (lbs)	**Aerial (lbs)								
08017000	600	360	5/8	.28	3.56	.80	.16	.38	0.34	08017016
08016000	2,500	1,500	7/8	.38	4.41	1.03	.31	.53	0.35	08955408
08016000H	2,500	1,500	7/8	.38	4.41	1.03	.31	.53	0.35	08081065
08080912	5,000	3,000	1 1/4	.56	5.44	1.34	.37	.59	0.57	08081046
08080912H	5,000	3,000	1 1/4	.56	5.44	1.34	.37	.59	0.57	08081042
08080913	7,000	4,200	1 3/8	.56	5.25	1.31	.44	.56	0.54	08081036
08080913H	7,000	4,200	1 3/8	.56	5.25	1.31	.44	.56	0.54	21000371
08080916	10,000	6,000	1 1/2	.63	6.51	1.59	.56	.78	0.54	08081026
08080916H	10,000	6,000	1 1/2	.63	6.51	1.59	.56	.78	0.54	21000381
08080920	15,000	9,000	2	.75	6.99	1.78	.59	.72	0.75	08081016
08080920H	15,000	9,000	2	.75	6.99	1.78	.59	.72	0.75	21000391
08080925	25,000	15,000	2 1/2	1.00	10.20	2.80	.84	1.23	1.15	08081006
08080925H	25,000	15,000	2 1/2	1.00	10.20	2.80	.84	1.23	1.15	21000401
08080930	30,000	18,000	3	1.31	12.05	3.56	1.09	1.37	1.64	08081053

* 3:1 SAFETY FACTOR

** 5:1 SAFETY FACTOR