



ISO 9001:2008  
CERTIFIED

# COMFIT COUPLERS INSTALLATION GUIDE

SAFETY • RELIABILITY • PRODUCTIVITY

## MOUNTING INSTRUCTIONS

Comfit Couplers have a push-lock mechanism which enables them to be installed on pipes without pre-dismantling.

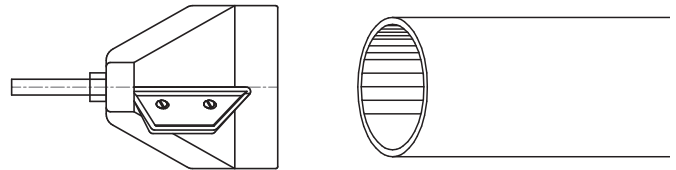
**DO NOT** take the coupler apart unless absolutely necessary.



1. Bevel the pipe edge with the Comfit Chamfering Tool.

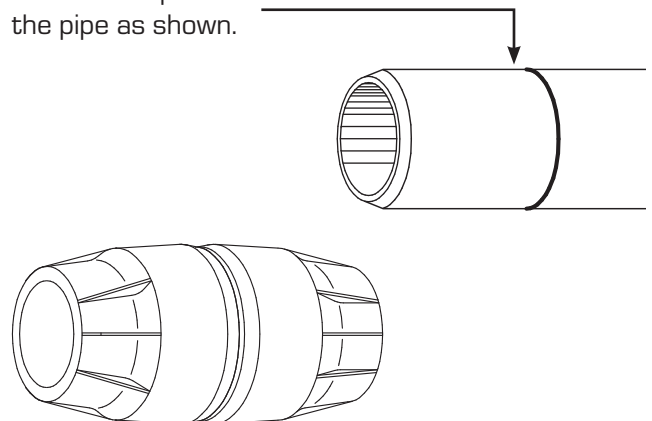
End of pipe must be clean and round.

Keep inside of coupler free from sand and mud.



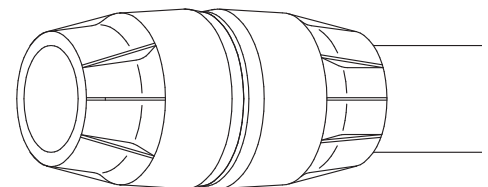
2. Mark insertion depth on the pipe.

Mark insertion depth on the pipe as shown.



3. Push the Coupler on the pipe to the mark.

After mounting pull the pipe forcibly by hand to ensure correct installation.



Condux International, Inc. • 145 Kingswood Drive • PO Box 247 • Mankato, MN 56002-0247  
1.800.533.2077 (US & Canada) • 507.387.6576 • Fax: 507.387.1442  
www.condux.com • cndxinfo@condux.com

Literature Part Number: 08566199-r2.0



ISO 9001:2008  
CERTIFIED

# TRANSFIT COUPLERS INSTALLATION GUIDE

SAFETY • RELIABILITY • PRODUCTIVITY

## MOUNTING INSTRUCTIONS

Transfit Couplers have a push-lock mechanism which enables them to be installed on pipes without pre-dismantling.

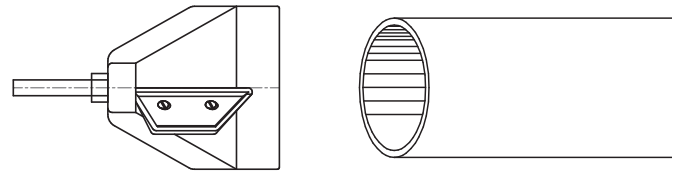
**DO NOT** take the coupler apart unless absolutely necessary.



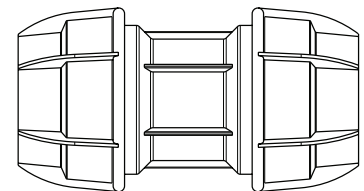
1. Bevel the pipe edge with the Transfit Chamfering Tool.

End of pipe must be clean and round.

Keep inside of coupler free from sand and mud.

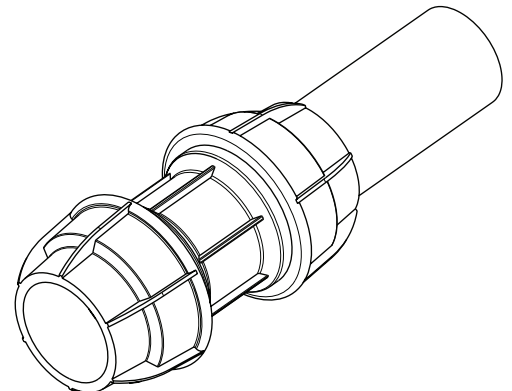


2. Unscrew coupler ends 2 to 3 threads.



3. Push the Coupler on the pipe until the pipe is flush with the internal lip.

Retighten ends.



Condux International, Inc. • 145 Kingswood Drive • PO Box 247 • Mankato, MN 56002-0247  
1.800.533.2077 (US & Canada) • 507.387.6576 • Fax: 507.387.1442  
www.condux.com • cndxinfo@condux.com

Literature Part Number: 08566199-r2.0