

## Limited Warranty

Condux International, Incorporated extends the following warranty to the original purchaser of these goods for use, subject to the qualifications indicated:

Condux International, Incorporated warrants to the original purchaser for use that the goods or any component thereof manufactured by Condux International will be free from defects in workmanship for a period of 1 year from the date of purchase, provided such goods are installed, maintained, and used in accordance with Condux written instructions.

Components not manufactured by Condux International but used within the assembly provided by Condux International are subject to the warranty period as specified by the individual manufacturer of said component, provided such goods are installed, maintained, and used in accordance with Condux's and the original manufacturer's written instructions.

Condux's sole liability and the purchaser's sole remedy for a failure of goods under this limited warranty, and for any and all claims arising out of the purchase and use of the goods, shall be limited to the repair or replacement of the goods that do not conform to this warranty.

To obtain repair or replacement service under the limited warranty, the purchaser must contact the factory for a Return Material Authorization (RMA). Once obtained, send the RMA along with the defective part or goods, transportation prepaid to

**Condux International, Inc.**  
**145 Kingswood Drive**  
**Mankato, MN 56001**

**THERE ARE NO EXPRESS WARRANTIES COVERING THESE GOODS OTHER THAN AS SET FORTH ABOVE. THE IMPLIED WARRANTIES OR MERCHANTABILITY AND FITNESS FOR A PARTICULAR PURPOSE ARE LIMITED IN DURATION TO ONE YEAR FROM DATE OF PURCHASE.**

CONDUX ASSUMES NO LIABILITY IN CONNECTION WITH THE INSTALLATION OR USE OF THIS PRODUCT EXCEPT AS STATED IN THIS LIMITED WARRANTY. CONDUX WILL IN NO EVENT BE LIABLE FOR INCIDENTAL OR CONSEQUENTIAL DAMAGES.



**CONDUX**

Condux International, Inc. • P.O. Box 247 • 145 Kingswood Drive • Mankato, MN 56001  
1-507-387-6576 • 1-800-533-2077 • FAX 1-507-387-1442  
<http://www.condux.com> • e-mail: [cndxinfo@condux.com](mailto:cndxinfo@condux.com)

©Copyright 2012, Condux International, Inc.  
Printed in USA  
Literature Part Number, 08674020  
Revision Number 1.2

USER GUIDE

USER GUIDE

USER GUIDE

## Retaining Forks



**CONDUX**

**ISO 9001:2008**  
**CERTIFIED**

## Installation Procedure

**!Caution** it is important to install the retaining fork properly to avoid damaging the forks.

1. Figure one shows the proper installation of the retaining fork when pulling the rope over top of the first sheave.
2. Figure two shows the proper installation of the retaining fork when pulling the rope underneath the first sheave.

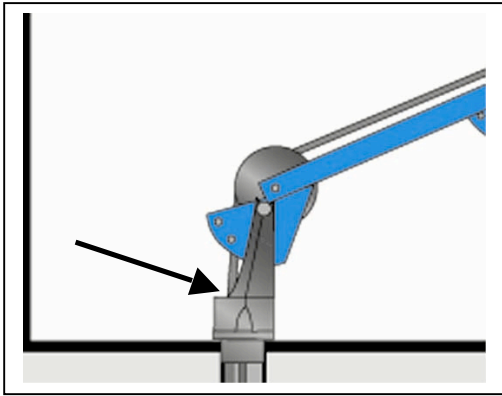


Figure 1

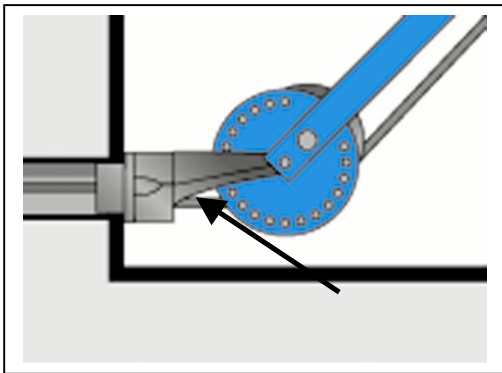


Figure 2

**Note: The radius side of the fork always faces the rope**  
**Fork is not designed to be used at an angle**



**!Caution:** Read and understand all procedure and safety instructions before using the Condux Retaining Forks. Failure to do so may result in personal injury or property damage. Save this user's guide for future reference.



**!ADVERTENCIA:** Favor de leer y comprender todas las instrucciones de operacion y seguridad antes de usar el Condux Retaining Forks. Si Ud. No comprende las instrucciones favor de consultarle a su jefe.

