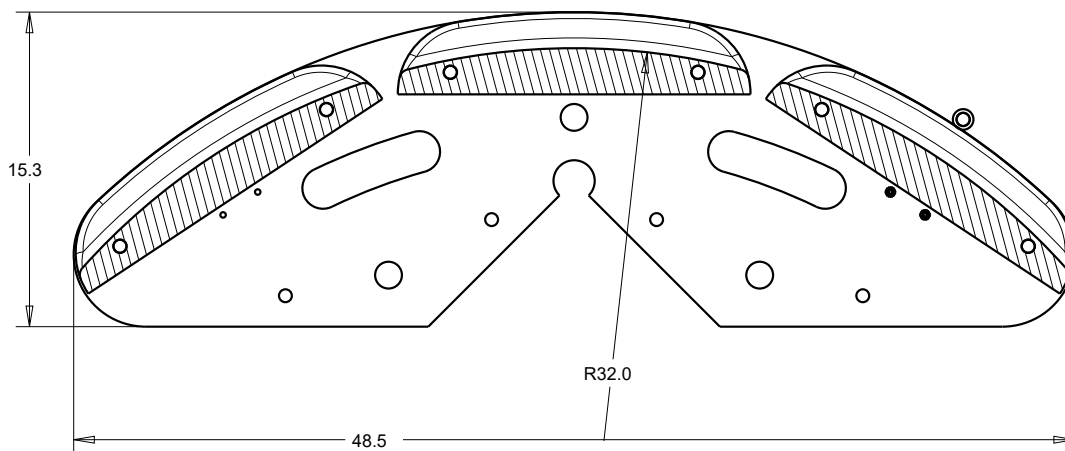


## 32 INCH QUAD BLOCK

Our latest Fiber Optic Quad Block protects high density fiber count cable during installation. Replacing traditional aluminum rollers with three sections of high density nylon provides over 45 contact inches of cable support – significantly reducing the occurrence of micro bends during installation. The 32" (81 cm) pulling radius allows cables up to 1.60" (4.1 cm) to make a gradual 90° turn for stress free pulling. Lightweight, corrosion-resistant aluminum side plates reduce the weight to a very manageable 37 lb (16.8 kg).



Part Number	Description	Max Fiber Optic Cable Diameter*	Rated Load	Length	Height	Width	Weight
08539715	32" Fiber Quad Block	1.6 in/4.1 cm	600 lb/272 kg	48.5 in/123.2 cm	15.3 in/38.9 cm	3.4 in/8.6 cm	37 lb/16.8 kg

\* Always refer to mfg's specifications for minimum bend radius under tension during installation.

